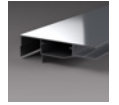


**Basic knowledge  
Fabric tensioning**

## System description LUMI-GRIP

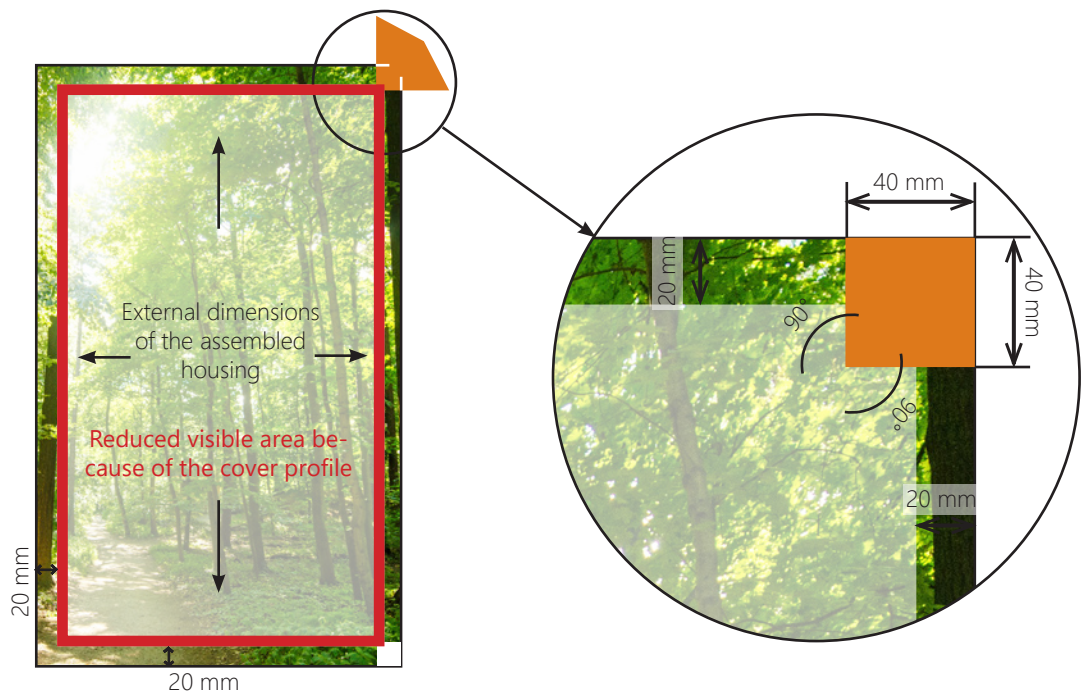
The profile can be fitted from the front and is particularly suited to installation in recesses.



Profiles for non-illuminated wall displays can be fixed directly to the wall without a substructure.

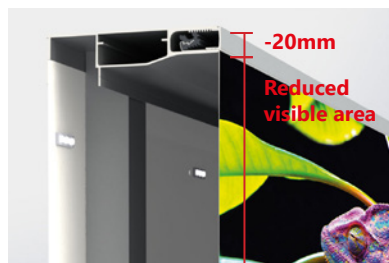
## Fabric allowance and fabric cutting LUMI-GRIP

Please note the range of backlit fabrics on offer. We gladly assist you in selecting the fabric for your project.



Add 20 mm to the external dimensions of the housing.

Remove the orange area of the fabric.



### Please note:

Please note that due to the cover profiles the final visible dimension is reduced by 20 mm. This must be taken into account when creating the print data so that no important motif elements are covered or cut.

Example:

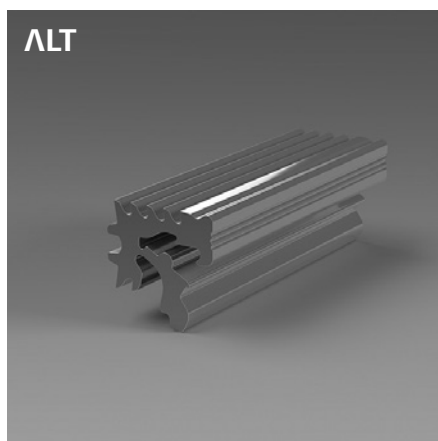
Outer frame dimension: 1000 x 1000 mm

Fabric dimension: 1040 x 1040 mm

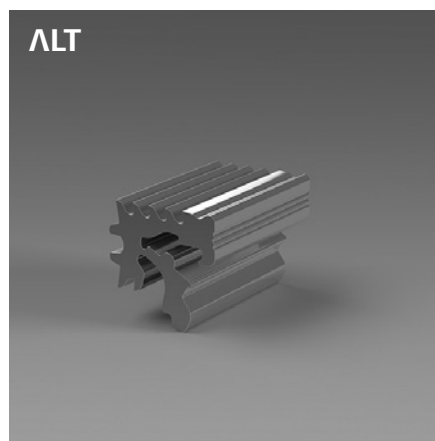
Visible area: 960 x 960 mm

The mass per unit area of a PVC coated polyester fabric should be at least 550 grams/square metre. In the event of a lower mass per unit area, the edge may need to be reinforced because the flexholder does not grip.

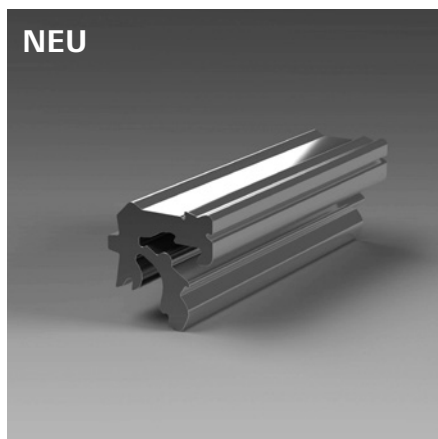
For formats with a length > 4 m, we recommend cutting the precise fabric allowance on site when in a half-tensioned state and then clamping the flex holders into place since temperature differences may influence the size of the fabric. If the fabric is still too long, release the flex holders with the flex holder pliers and cut the fabric down again.



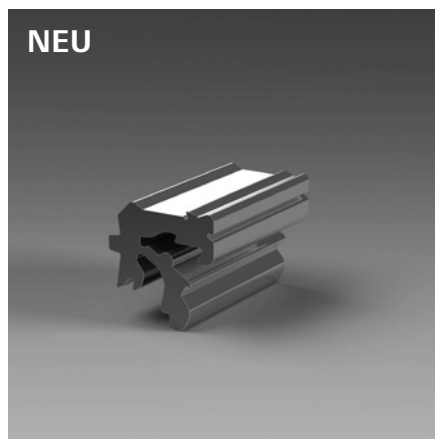
Old version 50 mm:  
EPS 1-072  
EPS 1-074  
EPS 1-077



Old version 25 mm:  
EPS 1-092  
EPS 1-094  
EPS 1-097



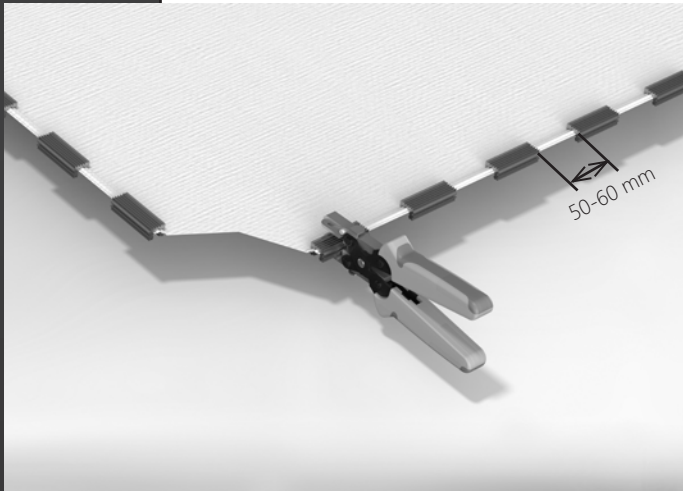
New version 50 mm:  
EPS 1-072-001  
EPS 1-074-001  
EPS 1-077-001



New version 25 mm:  
EPS 1-092-001  
EPS 1-094-001  
EPS 1-097-001

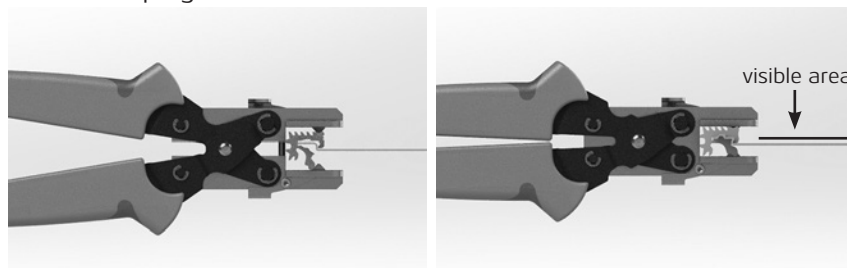
**Compared to the old ones, the new flex holders have no ribbing on the top. This difference is purely visual and has no influence on the known technical functions.**

**If you have any questions, please do not hesitate to contact us.**

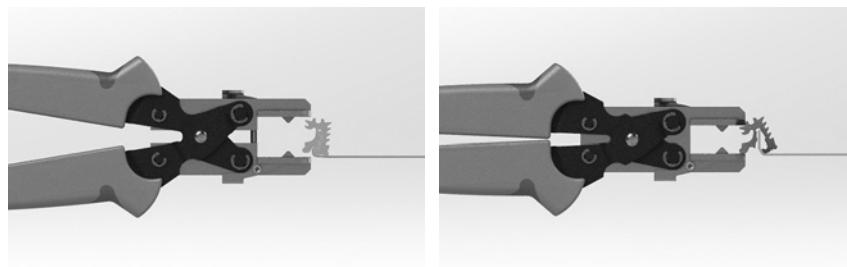


Starting from the corner of the fabric, the flex holders are applied with gaps of 50 - 60 mm between them. In order to achieve optimum tension: the larger the fabric area, the smaller the gaps between the holders.

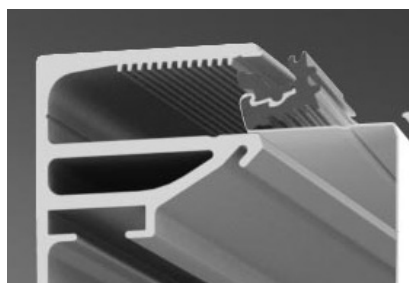
Using the flex holder pliers, compress the flex holder on the fabric until it engages perceptibly. Important: The smooth side of the flex holder must face the visible area of the fabric when clamping.



To open the flex holder, the clamping lug of the flex holder must be bent open in the opposite direction.



In order to be able to clamp the fabric correctly, the flex holder is folded once in the direction of the visible area and then inserted in the clamping channel of the profile!



## Tensioning the fabric

When installing PVC coated fabric a minimum ambient temperature of 8° Celsius should be ensured. In the event of lower temperatures, the fabric may buckle or be damaged in other ways. For small and medium formats, do not tension the fabric too firmly.

For formats with a length > 4 m, we recommend cutting the precise fabric allowance on site when in a half-tensioned state and then clamping the flex holders into place since temperature differences may influence the size of the fabric. If the fabric is still too long, release the flex holders with the flex holder pliers and cut the fabric down again.

Do not equip the frames with fabric when they are lying down since the fabric sags as a result of its own weight and you will thus have difficulties engaging the flex holders in the LUMI profile. In order to ensure optimum tensioning, always ensure the frame is upright.



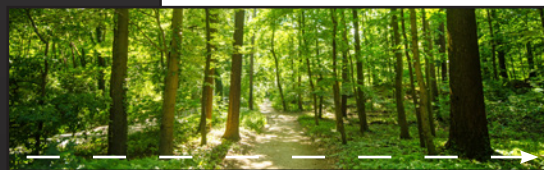
Insert the first three flex holders on the sides and the top edge and engage into the first or second tooth of the profile. When inserting each flex holder pull the fabric firmly away from the starting point in order to prevent wrinkles.



To finish the top row, insert the first flex holder on the opposite side and engage.



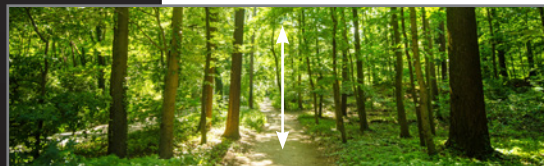
Finish inserting the side flex holders and engage into the first or second tooth.



Insert the bottom flex holders and engage into the first or second tooth. Only when this step is completed may you start actually tensioning using tensioning tools.



Use a tensioning fastener to push the flex holders on the left and right deeper into the profile and thus to tension the flex.



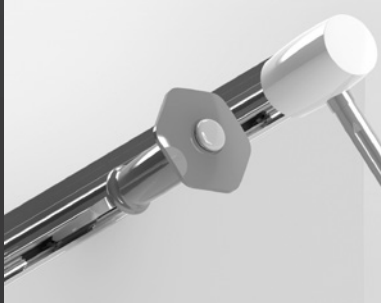
Then push the flex holders along the top and bottom edges deeper into the profile. If necessary, go round all flex holders again and tension further.

## Tensioning the fabric

### Minimum tensioning depth of the flex holder

In order to ensure that the fabric is provided with optimum and secure tension when you have completed tensioning, the flex holders should be engaged in the middle section of the tothing of the tensioning profile.

### Tensioning with flex holder fastener and rubber hammer



In order to securely tension the fabric, apply the flex holder fastener like a chisel to the flex holder and use the mallet to drive it deeper into the profile. For small and medium formats, do not tension the fabric too firmly.

Then seal the tensioning channel with the cover profile and use screws to prevent it from springing off unintentionally.

### IMPORTANT NOTE:

When using black or dark fabrics, as well as those where the entire surface has dark print or lettering, the heat generated as a result of direct sunlight may cause wrinkles to appear.

# EPS

## SYSTEMS

EPS Systems KG  
Obere Leimbach 6  
57074 Siegen/Germany  
Fon +49 (0) 271.338829-00  
[info@eps-systems.de](mailto:info@eps-systems.de)  
[www.eps-systems.de](http://www.eps-systems.de)